

Direct Sensing Non-isolated LED Driver

■ Description

- ▶ A non-isolated buck regulator circuit that senses output the output voltage to regulate the output current
- ▶ The output is sensed directly with a voltage controlled current source and regulates the output current

■ Benefits

- ▶ Eliminates the sense resistor and optocoupler required to sense the output current
- ▶ Increases efficiency
- ▶ Reduces component count
- ▶ **Could be used with:** Light emitting diode (LED) applications

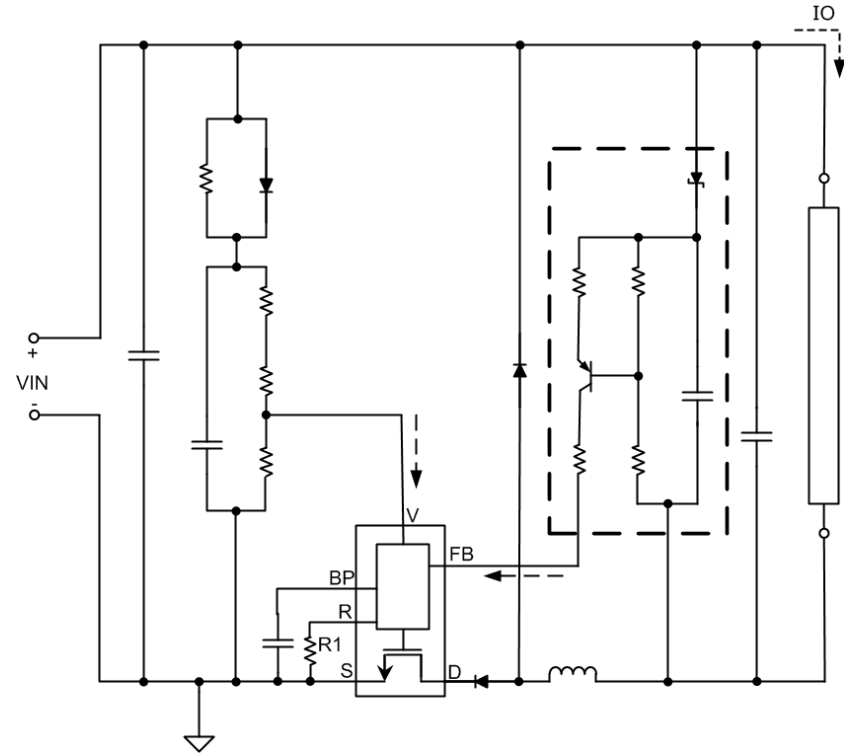


Figure 1. Example non-isolated LED driver which senses the output voltage to regulate the output current