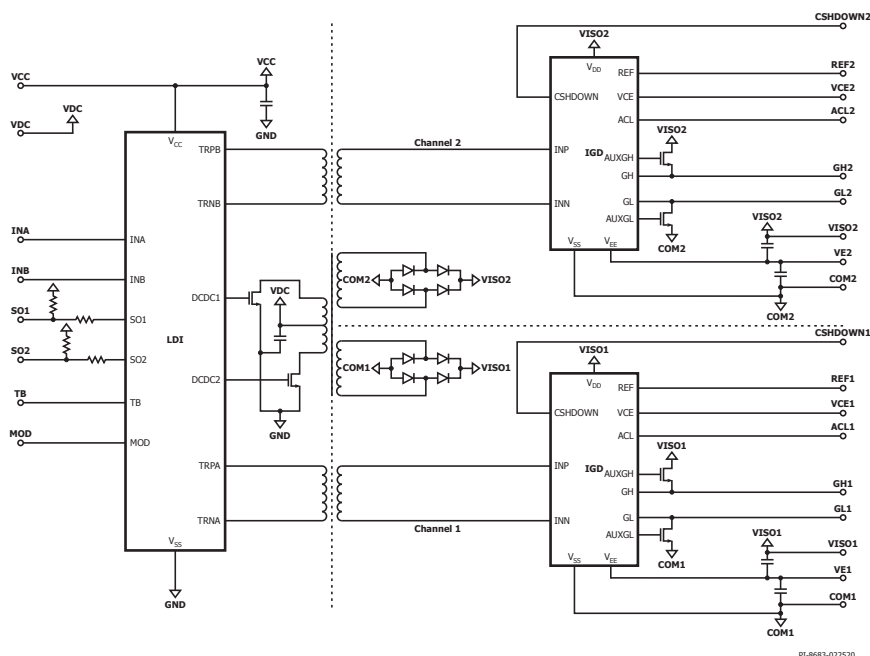


SCALE™ -2 Planar Driver Core 2SC0650P

- ±50 A peak output gate current
- 2 x 6 W output power
- Switching frequency up to 150 kHz
- Planar transformer isolation
- IGBT short-circuit protection
- Advanced Active Clamping

Dual-Channel Driver Core for Blocking Voltages up to 1700 V



Applications

- High gate current driving applications
- High frequency applications
- Wind power inverters
- Induction heating
- Industrial motor drives
- Railway main and auxiliary inverters
- SiC MOSFET applications

Certifications

- Reinforced isolation according to IEC 60664-1
- UL compliant

Product Details

Parameter	Min	Typical	Max	Unit
Nominal supply voltage		15		V
Supply current @ $f_{in} = 0$ Hz		61		mA
Supply current, full load			1335	mA
Output power per channel			6.5	W
Gate voltage		+15 / -10		V
Peak output current (gate current)	-50		+50	A
Switching frequency (f_s) ¹			150	kHz
Duty cycle	0		100	%
Creepage distance primary-secondary	15			mm
Clearance distance primary-secondary	15			mm
Dielectric test voltage	5000			V_{RMS}
Partial discharge extinction voltage	1768			V_{PEAK}
dv / dt immunity, input-to-output			100	kV/ μ s
Operating temperature	-40		+85	°C

¹ Maximum switching frequency depends on the IGBT gate charge. See data sheet for actual value of specific driver.



Design Support

Available Products

2SC0650P Products list (www.power.com/2SC0650P)